



PARTS LIST

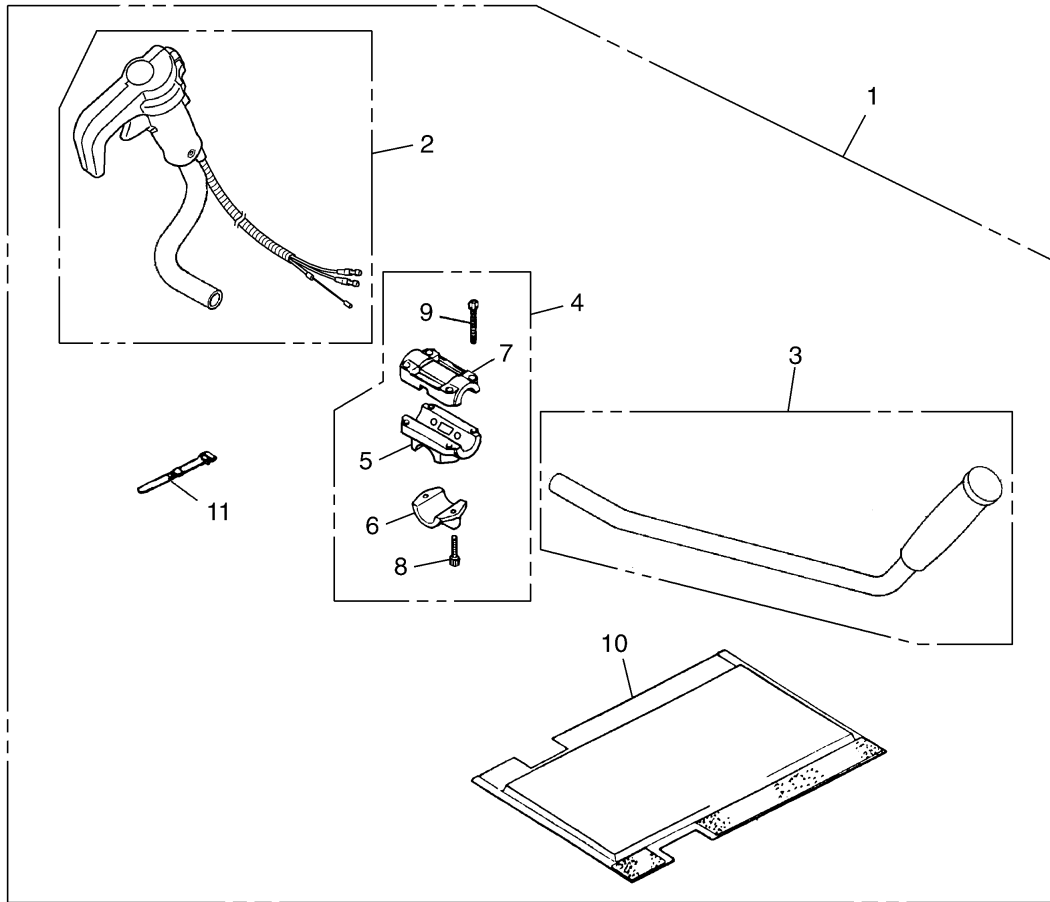
BRUSHCUTTERS

W-HANDLE KIT for BC2602 (EU)

NOTE :

1. Use ZENOAH genuine parts specified in the parts list for repair and/or replacement.
2. ZENOAH does not warrant the machines, those which have been damaged by the use of any parts other than those specified by the company.
3. When placing orders of parts for repair and/or replacement, check if the model name and the serial number are suitable to those specified in the parts list, then use parts number described in the parts list.
4. The contents described in the parts list may change due to improvement.
5. The parts for the machine shall be supplied within ten (10) years after the machine is discontinued.
[It is possible that some specific parts may be subject to change of their delivery term and list price within the limit of ten (10) years after the machine is discontinued. And it is also possible that some parts may be available even after the limit of ten (10) years.]

W-HANDLE KIT for BC2602 (EU)



Key#	PART NUMBER	DESCRIPTION	Q'TY /UNIT	NOTE	Key#	PART NUMBER	DESCRIPTION	Q'TY /UNIT	NOTE
1	T3238-95000	W-HANDLE KIT	1						
2	T3111-14100	• HANDLE-R-ASSY	1						
3	T3111-14300	• HANDLE-L-COMP	1						
4	3583-14101	• BRACKET-ASSY	1						
5	3583-14111	• BRACKET	1						
6	3583-14121	• CAP-L	1						
7	3257-14192	• CAP-U	1						
8	01252-30522	• BOLT	2						
9	01252-30525	• BOLT	4						
10	4050-17110	• PROTECTOR	1						
11	3540-93120	• BAND	1						